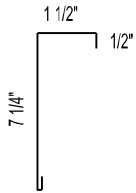


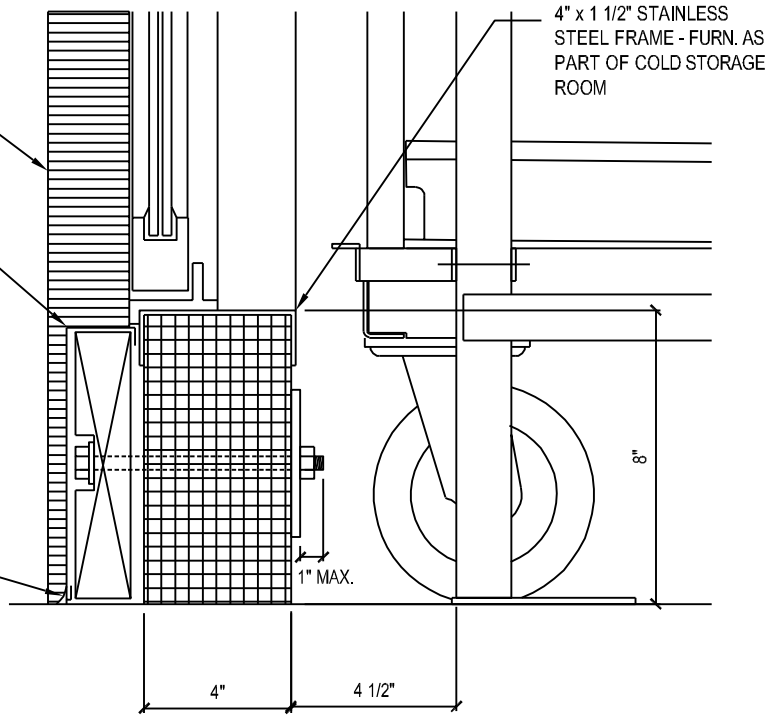
LINE OF STAINLESS STEEL TRIM  
BEYOND. COORDINATE COLOR W/  
NEW DECOR.

2x8 TREATED WOOD BUMPER RAIL  
WITH 18 GA. STAINLESS STEEL  
WRAP



SECURE STAINLESS STEEL WRAP  
WITH CONSTRUCTION ADHESIVE

SEALANT



NOTE:  
FASTEN WOOD BUMPER TO COLD STORAGE ROOM WALL PANEL WITH  
3/8" DIA. STAINLESS STEEL THROUGH-BOLTS AT 4'-0" O.C. THAT ARE  
COUNTERSUNK TO SET BOLT HEAD AND WASHER RECESSED FROM  
FACE OF BUMPER. PROVIDE 4"x4"x1/4" STAINLESS STEEL PLATE ON  
REFRIGERATED SIDE OF WALL PANEL WITH STAINLESS STEEL BOLT.

## SILL DETAIL

DATE	DEFENSE COMMISSARY AGENCY DIRECTORATE OF ENGINEERING FORT LEE, VIRGINIA - LACKLAND AFB, TEXAS		DESIGN STANDARD
JUN 2022	TITLE	COLD STORAGE ROOMS 1G11 GLASS DOOR DISPLAY	132126-11
			REF.
			REV.